

Warm reminder:

In order to avoid failure, please use our charger for charging.

User's Manual

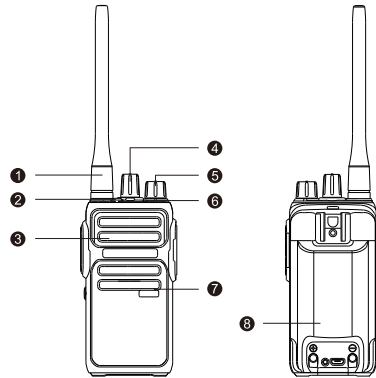
Parts list

Radio *1 Antenna *1 Li-ion Battery Pack*1 Belt Clip*1
User's Manual*1 Hand-Strap*1 Type-C charging cable*1

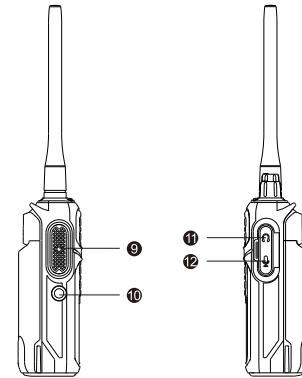
Optional

Desktop charge*1 Adaptor*1

Basic Introduction



- ❶ Antenna
- ❷ Monitor
- ❸ Speaker
- ❹ Channel Knob
- ❺ Volume Switch
- ❻ Indicator Light
- ❼ Microphone
- ❽ Battery



- ❹ Side key PPT
- ❷ Side Key
- ❶ Earphone Interface
- ❷ Microphone Interface

Indicator

Green light flashes when radio is receiving. Red light flashes when radio is transmitting. The green light flickers once every 8 seconds while waiting.

Channel Switch

Choosing desired channel to communication from 1-16. Channel selection is carried out by rotating channel knob switch.

Power Switch

Rotating volume switch reduces/increases volume and switching power supply.

PPT

Over the side of the radio is the PTT switch. Press PPT and face to microphone to communicate with the others while red light indicating.

Monitor

Press the monitor key on the side of the radio to turn on the function of receiving and monitoring.

Squelch level

The purpose of the squelch is to mute the speaker when

no signals are present:

Lower squelch level, high background noise hear, longer communication range, weaker the anti-interference.

Default squelch level is 5 and can be programmed level 0-9 by PC.

Level 0 is to open the squelch. The higher the selected squelch level, the stronger the signals must be when receiving.

TOT

This function can prevent users occupied the present channel for long time and limit TX time, meanwhile prevent radio from damage by long time transmitting.

If radio continue TX over the limit time (set by the programming software), radio will quit TX and sounds a warning sound. To stop warning sound, release the PTT, radio will back to the receiving state.

When TX over time, through the bell to carry out early warning in advance (setting by program software).

Scan

When the radio enters 16 channels, it enters the scanning function automatically.

CTCSS

Check the Hopping option of program, CTCSS can become into Non-standard TONE, so that increasing voice privacy.

Voice Power

Please choose the desired language by PC program software.

Power Saving Function

Please select to active or disable the power save function by PC program software.

Battery Voltage Alert

When the battery voltage is lower than 3.1V, the voice will sound "please charge", and prohibit transmitting.

Busy Channel Lockout

If radio programmed with BCLO, pressing PTT to prohibit TX after receiving the signal and accompanied by a long beep alarm sound.

High/Low Power Switch

Radio default setting is high power. You can switch high/low power by PC programming software.

Wide/Narrow Band Selection (25.0KHz/12.5KHz)

Radio default setting is wide band. You can select wide/narrow band by PC programming software.

VOX

Enable or disable VOX by PC programming software. When your radio turn on the VOX function, talking to the microphone, then voice will be sent out; Stop talking, then radio will be in receiving state.

When you use the earphone, need to adjust the VOX level in an appropriate level. If the microphone is too sensitive, the noise will activate transmitting; if the microphone is not sensitive enough, your voice will not activate transmitting. In order to communicate successfully, please adjust the appropriate level.

Scrambler

Enable or disable the scrambler by PC programming software. Scrambler function is one of encryption way. It through the spectrum to complete the purpose of changing the transmission spectrum and receiving the signal to restore, so as to achieve encryption effect.

QT/DQT

You can set the CTCSS/DCS by PC programming software. When the channels are set the CTCSS/DCS, squelch can be turn on when received a signal with the same CTCSS/DCS. If the same channel uses a different QT / DQT , the squelch can not be turned on and the light will be green.

- QT: (total 50)
- DQT: (total 116*2)

Local alarm function

Press the alarm button on the top of the radio. At this time, the radio will send out the alarm sound. When press it again, the alarm turns off.

Troubleshooting

Symptom	Try This
No power	<ul style="list-style-type: none"> • The battery maybe run out please renew it or recharge it. • The battery may not be properly installed. Please take it off and re-install.
Battery lasts a short time after charge	<ul style="list-style-type: none"> • The battery life is over, please replace new battery.
Unable to speak to other members in the group	<ul style="list-style-type: none"> • Verify the frequency and QT/DQT settings you are using is the same with other members in the group. • Verify transmitting is within effective operating range.
Hearing other conversation on a channel (not group members)	<ul style="list-style-type: none"> • Please change the QT/DQT settings of all radio in this group.
Radio continue squeak	<ul style="list-style-type: none"> • Radio channel is empty channel, please switch to other channel or write frequency point before use.
Low power alarm	<ul style="list-style-type: none"> • Please charge it in time to avoid battery damage.

Warranty Card

Contact : _____

Company Name: _____

ADD: _____

Warranty Card No.: _____ Post Code: _____

Tel: _____ Mob.: _____

Fax: _____ Email: _____

Ordered : _____ Model: _____

Ordered No.: _____ Purchased Date: _____

(S/N): _____ (EAN): _____

Trouble Description: _____
